

# TOWER®

over 100 YEARS of quality

T14049BM

## Indoor / Outdoor Health BBQ



**1** YEAR  
GUARANTEE



GREAT BRITISH  
DESIGN SINCE 1912

SAFETY AND INSTRUCTION MANUAL  
PLEASE READ CAREFULLY

\*Subject to registering your Extended Guarantee online at [www.towerhousewares.co.uk](http://www.towerhousewares.co.uk).

**Specifications:**

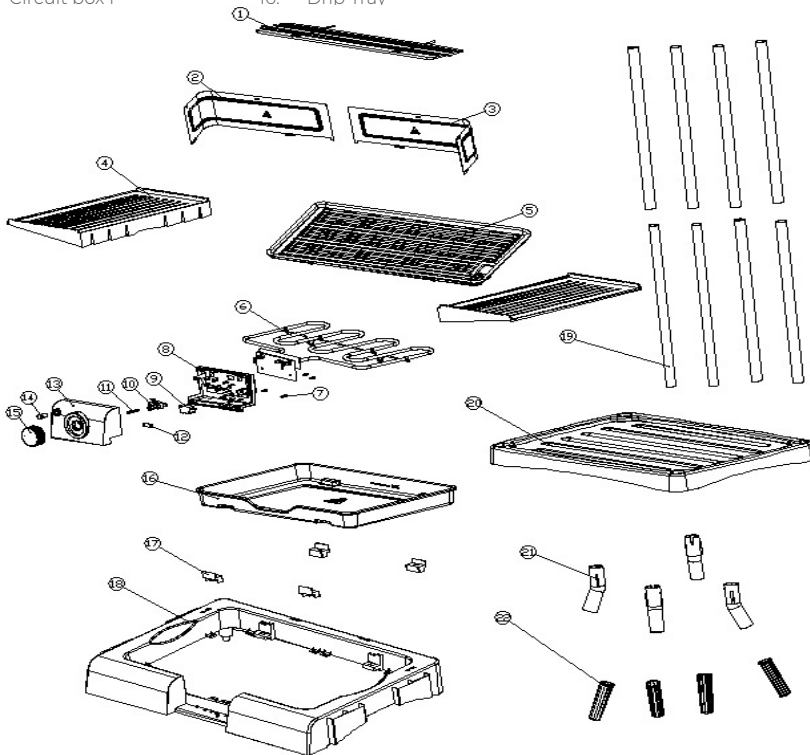
**This box contains:**

Instruction Manual  
Indoor/Outdoor BBQ  
4 x Legs  
4 x Leg Connectors  
Shelf

Grill Plate  
2 x Side Tables  
Warming Rack  
Drip Tray  
Drip Tray Fixer

2 x Wind Shields  
1 x Thermostat and Heating  
Element  
4 x Feet

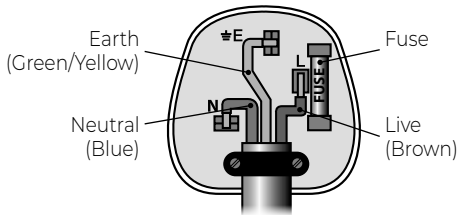
- |                    |                    |                     |
|--------------------|--------------------|---------------------|
| 1. Warming Rack    | 9. Micro Switch    | 17. Drip Tray fixer |
| 2. Wind Shield     | 10. Thermostat     | 18. Housing         |
| 3. Wind Shield     | 11. Screw          | 19. Legs            |
| 4. Side Table      | 12. Wire fixer     | 20. Shelf           |
| 5. Grill Plate     | 13. Circuit box II | 21. Leg connectors  |
| 6. Heating Element | 14. Indicator      | 22. Feet            |
| 7. Screws          | 15. Dial           |                     |
| 8. Circuit box I   | 16. Drip Tray      |                     |



**Technical Data:**

Model:	T14049BM
Rated Voltage:	220-240V
Frequency:	50-60Hz
Power Consumption:	2000W
Degree of protection:	IPX4


## Wiring Safety for UK Use Only



### IMPORTANT

As the colours in the mains lead of this appliance may not correspond with the coloured markings identifying the terminals in your plug, please proceed as follows:

The wires in the mains lead are labelled in accordance with the following code:

**Blue neutral [N] Brown live [L] Green/Yellow [EARTH]** 

### Plug Fitting Details (Where Applicable).

The wire labelled blue is the neutral and must be connected to the terminal marked [N].

The wire labelled brown is the live wire and must be connected to the terminal marked [L].

The wire labelled green/yellow must be connected to the terminal marked with the letter [E].

On no account must either the brown or the blue wire be connected to the [EARTH] terminal.

Always ensure that the cord grip is fastened correctly.

The plug must be fitted with a fuse of the same

rating already fitted and conforming to BS 1362 and be ASTA approved.

If in doubt consult a qualified electrician who will be pleased to do this for you.

### Non-Rewireable Mains Plug.

If your appliance is supplied with a non-rewireable plug fitted to the mains lead and should the fuse need replacing, you must use an ASTA approved one (conforming to BS 1362 of the same rating).

If in doubt, consult a qualified electrician who will be pleased to do this for you.

If you need to remove the plug - disconnect it from the mains - then cut it off of the mains lead and immediately dispose of it in a safe manner. Never attempt to reuse the plug or insert it into a socket outlet as there is a danger of an electric shock.

### WARNING:

This appliance **MUST** be earthed!

### DISPOSAL OF THE UNIT

Appliances bearing the symbol shown here may not be disposed of in domestic rubbish. You are required to dispose of old electrical and electronic appliances like this separately.

Please visit [www.recycle-more.co.uk](http://www.recycle-more.co.uk) or [www.recyclenow.co.uk](http://www.recyclenow.co.uk) for access to information about the recycling of electrical items.

Please visit [www.weeeireland.ie](http://www.weeeireland.ie) for access to information about the recycling of electrical items purchased in Ireland.

The WEEE directive, introduced in August 2006, states that all electrical items must be recycled, rather than taken to landfill.

Please arrange to take this appliance to your local Civic Amenity site for recycling, once it has reached the end of its life.



## Important Safety Information:

Read all of the instructions carefully and ensure that your barbecue is properly installed, assembled, maintained and serviced in accordance to these instructions. Failure to follow these instructions may result in serious bodily injury and/or property damage. If you have any questions concerning the assembly or operation of this barbecue, please consult customer services, the manufacturer or agent.

- Check that the voltage of the main circuit corresponds with the rating of the appliance before operating.
- If the supply cord or appliance is damaged, stop using the appliance immediately and seek advice from the manufacturer, its service agent or a similarly qualified person.
- WARNING! DO NOT let the cord hang over the edge of a table or counter, serious burns may result from the BBQ being pulled over.
- DO NOT carry the appliance by the power cord.
- CAUTION! The BBQ can ONLY be used with an extension cord if it is the ONLY APPLIANCE that is plugged into the extension, and if it is used in conjunction with a circuit breaker or an extension cord that has a circuit breaker built-in.
- DO NOT pull the plug out by the cord as this may damage the plug and/or the cable.
- Switch off at the wall socket then remove the plug from the socket when not in use or before cleaning.
- Switch off and unplug before fitting or removing tools/attachments, after use and before cleaning.
- Close supervision is necessary when any appliance is used by or near children.
- Children should not play with the appliance.
- This appliance can be used by children aged 8 years and above and persons with reduced physical, sensory or mental capabilities or lack of experience and knowledge if they have been given supervision or instruction concerning use of the appliance in a safe way and understand the hazards involved.

- Cleaning and user maintenance should not be undertaken by children without supervision.
- Take care when any appliance is used near pets.
- DO NOT use this product for anything other than its intended use.
- This appliance is for household use only.
- This appliance includes a heating function.
- Please ensure that the appliance is used on a stable, level, and heat resistant surface.
- DO NOT immerse cords, plugs or any part of the appliance in water or any other liquid.
- DO NOT place the BBQ on or near combustible materials such as a tablecloth or curtain.
- DO NOT place the BBQ against a wall or against other appliances. Leave at least 10cm free space on the back and sides and 10cm free space above the appliance.
- Allow the BBQ to cool down for approx 60 minutes before you handle or clean it.
- Remove burnt remnants.
- Never use plates, trays or aluminum foil beneath the food. Always use oven gloves when handling or removing anything from the BBQ.
- **WARNING!** This appliance operates at high temperatures, which may cause burns. DO NOT touch the hot surfaces of the appliance (pan, air outlet, etc.)
- DO NOT move the appliance when it is full of hot food.
- In the unlikely event the appliance develops a fault, stop using it immediately and seek advice from the Customer Support Team:  
**+44 (0) 333 220 6066**

### Before First Use:

**WARNING:** Read the following instructions carefully and be sure your barbecue is properly installed, assembled and cared for. Failure to follow these instructions may result in serious bodily injury and/or property damage.

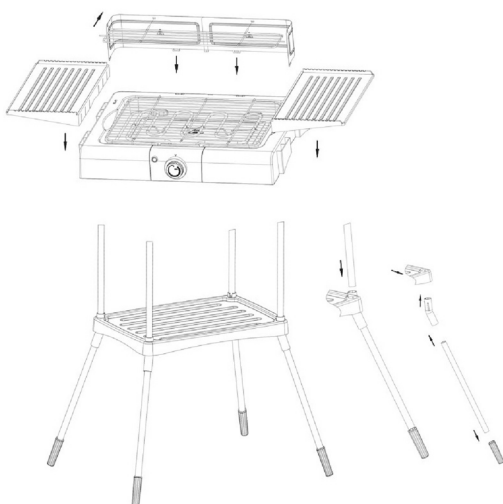
1. Remove the parts from the packaging and lay out on an even surface.
2. Check that all parts are present and that there is no visible sign of damage.
3. Assemble the barbecue as per the assembly instructions.
4. Wash and rinse the grill racks, drip tray. Dry thoroughly before replacing.
5. Heat the appliance for 30 minutes, without food. This will stabilise the non-stick coating.
6. Your appliance is now ready for normal use.
7. Dispose of the packaging in a responsible manner.

**Note:** When your BBQ is heated for the first time, it may emit a slight amount of smoke or odour. This is normal with many heating appliances due to small amounts of manufacturing oil or dust particles that may have settled in transit. This does not affect the safety of your appliance.

### Assembly:

Take care when handling parts during assembly. It is recommended to wear work gloves to protect your hands from any rough or sharp part edges during assembly.

To assemble the BBQ, connect the parts together as shown below.



### Using Your Appliance:

**Note:** This unit is suitable for both indoor and outdoor use. When using the appliance indoors, remove the legs and place the unit on a countertop or other level, stable and heat-resistant surface.

**Note:** Turn the thermostat control to the "MIN" setting before you plug into a suitable mains socket.

1. Place the BBQ Grill on a level, stable, fireproof base in a suitable location.
2. Fill the water tray with water up to the 'MAX' line. This helps prevent fires caused by burning grease or fat.
3. Connect the BBQ Grill to a suitable mains socket.
4. Turn the thermostat control to the "MAX" setting. The BBQ Grill will now automatically heat up.
5. As soon as the selected temperature setting is reached, the red indicator light will go out. The heating process will automatically end.
6. As soon as the selected temperature setting has reduced, the red indicator light will illuminate and the heating process will then resume until the BBQ Grill returns to the selected temperature. For best results, let the BBQ Grill heat up for 10 to 15 minutes.
7. Place the food you would like barbecue on the grill plate. Never use plates, trays or aluminum foil beneath the food. Always use oven gloves when handling or removing anything from the BBQ. The grilling time depends on the thickness of the food. Turn the food from time to time. The height of the warming rack can be adjusted in three levels
8. To reduce the barbecuing temperature when cooking delicate foods, such as fish or mushrooms, turn the thermostat control counter clockwise.
9. Turn the thermostat control to the "MIN" setting to stop barbecuing.
10. Take the food off the grill plate.
11. To switch the BBQ Grill off, first pull the mains plug out of the socket.
12. Always let the BBQ Grill cool off completely before cleaning and storing.

**Note:** Do not use any fuels such as charcoal in the BBQ Grill.

**Note:** Heat the BBQ Grill up for approx. 10 – 15 minutes before placing food on the grill plate. This will help you achieve best cooking results.

**CAUTION!** The food will be hot. Handle with care.

### Energy Saving Tips:

1. Turn the grill off as soon as cooking is completed.
2. Pre heat the grill for 10 – 15 minutes. DO NOT preheat for longer than recommended.
3. Do not use a higher heat setting than required.

### Tips for grilling:

- Your meat will be tender if you marinate it overnight before cooking (the marinade is always made of oil (to moisten), vinegar (to tenderize) and a mixture of seasonings).
- Always use tongs or some form of scoop to turn the grilled food (using a fork to turn the food will dry it out).
- Only turn meat and fish once during grilling. You do not need to turn it more than once too much turning will dry food out.
- Never cook meat for too long.
- Move the warming rack to an appropriate height, as required.
- Rub the grill plate with a piece of kitchen paper soaked in oil from time to time.

### Cleaning & Care:

- Clean the appliance after each use.
- Allow the grill to cool completely before cleaning.
- Wash the racks with warm soapy water.
- Remove and empty the drip tray, clean with warm soapy water.
- Wash the interior surfaces of the grill housing cover with warm soapy water.
- DO NOT use abrasives as these could cause damage to the parts.
- DO NOT manipulate any parts sealed by the manufacturer. DO NOT modify this appliance.

### Storage:

- Ensure the appliance is cool, clean and dry before storing.
- Store it in a cool, dry place.
- DO NOT leave the barbecue exposed to outside weather conditions or stored in damp, moist areas.
- Even when your barbecue is covered for its protection, it must be inspected on a regular basis as damp or condensation can form which may result in damage to the barbecue. It may be necessary to dry the barbecue and the inside of the cover.
- It is possible for mould to grow on any fat remaining on parts of the barbecue. This should be cleaned off smooth surfaces with hot soapy water.
- Any rust that is found that does not come into contact with the food should be treated with a rust inhibitor and painted with barbecue paint or a heat resistant paint.

### Troubleshooting:

Problem	Possible cause	Solution
The BBQ Grill does not heat up.	The BBQ Grill is not connected to the power supply.	Insert the mains plug in a socket with earthing contact.
The BBQ Grill switches off on its own.	The selected temperature setting has been reached. The thermostat will automatically switch off.	The thermostat will automatically switch back on once the selected temperature setting is under-run.
		Turn the thermostat control to a higher temperature setting.

### Spares:

- T14049BM01 - Side Wing
- T14049BM02 - Wind Guard Left Side
- T14049BM03 - Wind Guard Right Side
- T14049BM04 - Top Rack
- T14049BM05 - Feet 2 Pack
- T14049BM06 - Leg Tube 2 Pack
- T14049BM07 - Leg Connectors 2 Pack









# TOWER®

over 100 YEARS of quality

*thank you!*

We hope you enjoy your appliance for many years.

This product is guaranteed for 12 months from the date of original purchase. If any defect arises due to faulty materials or workmanship, the faulty products must be returned to the place of purchase.

Refund or replacement is at the discretion of the retailer.

**The Following Conditions Apply:**

The product must be returned to the retailer with proof of purchase or a receipt.

The product must be installed and used in accordance with the instructions contained in this instruction guide.

It must be used only for domestic purposes.

It does not cover wear and tear, damage, misuse or consumable parts.

Tower has limited liability for incidental or consequential loss or damage.

This guarantee is valid in the UK and Eire only.

\*To receive your extra 1 years guarantee, register your appliance online within 28 days of purchase by visiting:

**[www.towerhousewares.co.uk](http://www.towerhousewares.co.uk)**

Should you have a problem with your appliance, or need any spare parts, please call our Customer Support Team:

**+44 (0) 333 220 6066**

Your warranty becomes void should you decide to use non Tower spare parts. Spare parts can be purchased from **[www.towerhousewares.co.uk](http://www.towerhousewares.co.uk)**

