

TOWER

over 100 YEARS of quality

CAVALETTO

HAND MIXER

T12061

Applicable to
all colour variants

**POWERFUL
300W
MOTOR**

**STAINLESS
STEEL
BEATERS
& DOUGH
HOOKS**

**SOFTTEX
NON-SLIP
SOFT TOUCH
COATING**

**5 SPEED
SETTINGS
+ TURBO
FOR MORE
CONTROL**

Call us first, we can help.

With advice, spares and returns.

Visit our website: towerhousewares.co.uk **Call: +44 (0)333 220 6066**
(8.30am to 6.00pm Monday-Friday)

3*
YEAR
GUARANTEE

SAFETY AND INSTRUCTION MANUAL

PLEASE READ CAREFULLY

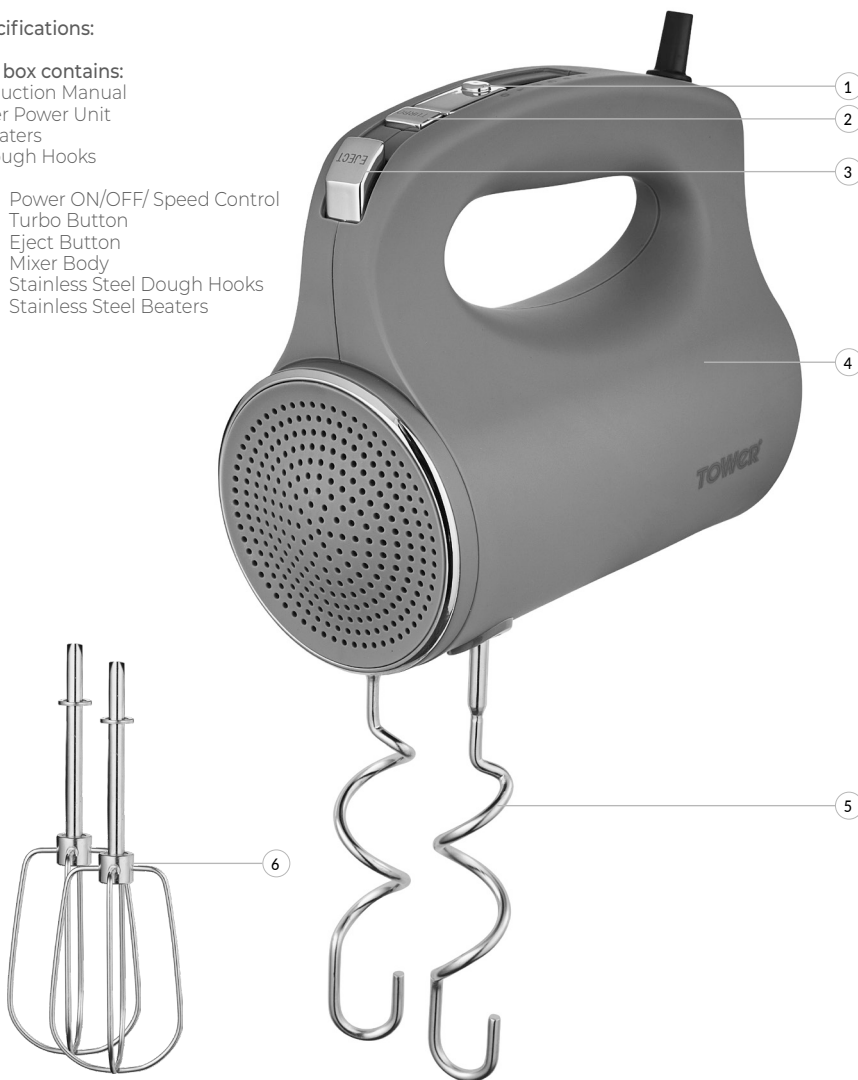
*Subject to registering your Extended Guarantee online at www.towerhousewares.co.uk.

Specifications:

This box contains:

Instruction Manual
Mixer Power Unit
2 Beaters
2 Dough Hooks

1. Power ON/OFF/ Speed Control
2. Turbo Button
3. Eject Button
4. Mixer Body
5. Stainless Steel Dough Hooks
6. Stainless Steel Beaters



Technical Data:

Description:	Hand Mixer
Model:	T12061 applicable to all colour variants
Rated Voltage:	220-240V~
Frequency:	50-60Hz
Power consumption:	300W





DISPOSAL OF THE UNIT

Appliances bearing the symbol shown here may not be disposed of in domestic rubbish. You are required to dispose of old electrical and electronic appliances like this separately.

Please visit www.recycle-more.co.uk or www.recyclenow.co.uk for access to information about the recycling of electrical items.

Please visit www.weeeiireland.ie for access to information about the recycling of electrical items purchased in Ireland.

The WEEE directive, introduced in August 2006, states that all electrical items must be recycled, rather than taken to landfill.

Please arrange to take this appliance to your local Civic Amenity site for recycling, once it has reached the end of its life.



Important Safety Information:

Please read these notes carefully BEFORE using your Tower appliance

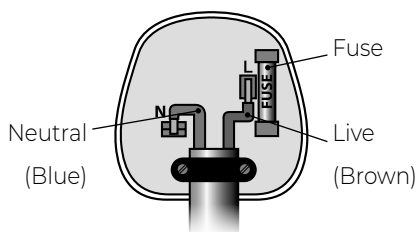
- Carefully read all instructions before operating and save for future reference.
- Check that the voltage of the main circuit corresponds with the rating of the appliance before operating.
- DO NOT use this product for anything other than its intended use. DO NOT mix flammable non-food substances.
- This appliance is for household use only.
- DO NOT use the appliance outdoors.
- If the supply cord or appliance is damaged, stop using the appliance immediately and seek advice from the manufacturer, its service agent or a similarly qualified person.
- DO NOT let the cord hang over the edge of a table or counter or let it come into contact with any hot surfaces.
- DO NOT carry the appliance by the power cord.
- DO NOT use any extension cord with this appliance.



- DO NOT use an external switching device such as a timer, or connect to a circuit that is regularly switched on and off by the utility.
- DO NOT pull the plug out by the cord as this may damage the plug and/or the cable.
- Always check that the control is set to 0 before plugging cord into wall outlet. To disconnect, turn the control to 0, then remove plug from wall outlet.
- Switch off at the wall socket then remove the plug from the socket when changing accessories, when not in use or before cleaning.
- Close supervision is necessary when any appliance is used by or near children.
- Children should not play with the appliance.
- This appliance can be used by children aged from 8 years and above and persons with reduced physical, sensory or mental capabilities or lack of experience and knowledge if they have been given supervision or instruction concerning use of the appliance in a safe way and understand the hazards involved.
- Cleaning and user maintenance should not be undertaken by children without supervision.
- Take care when any appliance is used near pets.
- DO NOT leave mixer unattended while it is operating.
- Remove beaters/ hooks from mixer before washing.
- Avoid contacting moving parts. Keep hands, hair, clothing, as well as spatulas and other utensils away from beaters/ hooks during operation to reduce the risk of personal injury, and/or damage to the mixer.
- The use of accessories not recommended by the manufacturer may cause injury.
- DO NOT strike attachments on the rim of bowls, especially glass bowls. Use a rubber or plastic spatula to remove any excess ingredients.

- Never press the eject button when the appliance is operating.
- To protect against risk of electrical shock, fire or personal injury do not immerse the power cord, plug, or mixer body in water or other liquid.
- DO NOT place near a gas outlet, electric burner, or heated oven.
- DO NOT continuously operate the mixer as it may overheat. The continuous operating time must be less than 5 minutes. If the temperature of the unit exceeds its limit, the motor protection function will stop the appliance operating. In this event move the speed button to the "0" position and unplug the power cord. Allow the appliance 5 minutes to cool down, for the PTC temperature fuse to reset. The appliance can then be operated again.
- If the mixer becomes blocked, the protect function of the motor will activate. In this event move the speed button to the "0" position and unplug the power cord, clear the blockage. Plug back in and operate.
- DO NOT attempt to mix ingredients that are too stiff or sticky.
- In the unlikely event the appliance develops a fault, stop using it immediately and seek advice from the Customer Support Team.

Wiring Safety for UK Use Only




IMPORTANT

As the colours in the mains lead of this appliance may not correspond with the coloured markings identifying the terminals in your plug, please proceed as follows:

The wires in the mains lead are coloured in accordance with the following code:

Blue neutral [N] Brown live [L]

Plug Fitting Details (Where Applicable).

The wire coloured blue is the neutral and must be connected to the terminal marked [N] or coloured black. The wire coloured brown is the live wire and must be connected to the terminal marked [L] or coloured red. On no account must either the brown or the blue wire be connected to the [EARTH] terminal .

Always ensure that the cord grip is fastened correctly.

The plug must be fitted with a fuse of the same rating already fitted and conforming to BS 1362 and be ASTA approved.

If in doubt consult a qualified electrician who will be pleased to do this for you.

Non-Rewireable Mains Plug.

If your appliance is supplied with a non-rewireable plug fitted to the mains lead and should the fuse need replacing, you must use an ASTA approved one (conforming to BS 1362 of the same rating).

If in doubt, consult a qualified electrician who will be pleased to do this for you.

If you need to remove the plug – disconnect it from the mains – and then cut it off of the mains lead and immediately dispose of it in a safe manner. Never attempt to reuse the plug or insert it into a socket outlet as there is a danger of an electric shock.

WARNING:

This appliance is double insulated.
Do not connect any wire to the earth terminal.

Before First Use:

Read all instructions and safety information carefully before first use. Please retain this information for future reference.

1. Remove your appliance from the packaging.
2. Wash the beaters and the dough hooks.
3. Your appliance is now ready for normal use.
4. Dispose of the packaging in a responsible manner.

Using Your Appliance:

1. Before assembling the mixer, ensure the power cord is unplugged from the power outlet and the speed selector is in the 0 position.
2. Insert the 2 beaters or dough hooks one at a time by grasping the mixer handle with one hand and the beater/hook stem with the other hand. Insert the stem into the opening, rotating slightly and pushing in firmly until it locks into place. Repeat to attach the other beater/hook.

Note: The beaters can be assembled into either slot. However, the dough hooks have designated slots; fit the dough hook with the 'washer' into the larger slot and the dough hook without a 'washer' in to the smaller slot.

3. Plug the appliance into the power outlet.
4. Grip the mixer handle, and position the beaters/hooks in the centre of the ingredients to be mixed.
5. Select the speed setting that matches your mixing task. There are 5 settings to choose from.
6. Guide the beaters/hooks continuously through the mixture for uniform mixing. Whenever you wish to scrape the sides and bottom of the bowl using a hand-held utensil, first move the Speed Control Switch to the 0 position. Then place the mixer so that the beaters can drain into the bowl.

▲ WARNING: Do not put utensils into the bowl when operating.

7. When you have finished using your hand mixer, move the speed selector to the 0 position, and unplug the cord from power outlet.
8. If necessary you can scrape any excess food particles from the beaters/hooks using a rubber or wooden spatula.
9. To remove the beaters from your hand mixer; With the speed control set at 0 and mixer unplugged, hold the beaters/hooks with one hand and press the eject button firmly down with the other hand and pull.

Mixing Guide:

These are suggestions for selecting speeds.

Speed	Function
1	Whipping cream, icings etc
2-3	Creaming butter and sugar, Beating desserts
4	Blending liquids such as salad dressings
5	Folding or mixing; bulk ingredients and dry foods, potatoes and butter, mixing cakes/ cookies/ breads Beating eggs

Note: Press the Turbo button to accelerate the speed during operation. DO NOT use for more than 1 minute continuously.

Note: Use dough hooks to mix thick sticky flour mixtures. Use the beaters to beat eggs and cream.

Mixing Tips:

1. For best results when beating egg whites; use a stainless steel, copper, or glass bowl; do not use an aluminium or plastic bowl.
2. Allow refrigerated ingredients, such as butter and eggs, to reach room temperature before mixing in order for them to combine more thoroughly.
3. To avoid the possibility of shell in the mixture, break eggs into a separate container before adding to the mix.
4. For best results when whipping cream; chill the cream, beaters, and bowl first. Start with the lowest setting and gradually increase as the cream begins to thicken.

Troubleshooting:

Questions	Cause	Solution
The unit is not working.	The unit is not plugged into the mains or the mains socket is not turned on.	Plug the unit into the mains and ensure the mains socket is turned to the 'ON' position.
The beaters/dough hooks are not mixing properly.	The mixture is too thick.	Reduce the consistency of the mixture by adding liquid.
	Wrong mixing speed selected.	Increase the mixing speed by moving the speed selector to a higher setting.
	The bowl is too full.	Take care not to overfill the bowl when putting in the ingredients.
Accessories not staying in.	Accessories are not being pushed in far enough.	Make sure you push until they click into place.

Cleaning & Care:

1. Make sure that the appliance is cleaned after every use.
2. Unplug the appliance and wait until it completely cools down before cleaning.
3. Eject the beaters/hooks.
4. Wipe over the outside surface with a dampened cloth and polish with a soft dry cloth.
5. Wipe any excess food particles from the power cord.
6. Wash the beaters/hooks in warm soapy water and wipe dry.

NOTE: The whisk and beater attachments are dishwasher safe

▲ CAUTION: DO NOT immerse the mixer body in water or other liquid. Remove stubborn spots, with a damp sponge or cloth and a small amount of detergent. DO NOT use abrasive cleaners on any part of the mixer as they can damage the finish.

▲ IMPORTANT: Allow all parts to dry fully after cleaning before using again. Do not use the appliance if damp.

▲ WARNING:

DO NOT immerse any electrical part of the appliance in water such as motor units or plugs.
Please see cleaning section for further instructions.

To store your appliance:

1. Ensure the appliance is completely clean and dry before storing.
2. Store the beaters/hooks with the mixer body in the original packaging

NOTES

NOTES

NOTES

TOWER
over 100 YEARS of quality



CAVALETTO

thank you!

We hope you enjoy your appliance for many years.

This product is guaranteed for 12 months from the date of original purchase. If any defect arises due to faulty materials or workmanship, the faulty products must be returned to the place of purchase.

Refund or replacement is at the discretion of the retailer.

The Following Conditions Apply:

The product must be returned to the retailer with proof of purchase or a receipt. The product must be installed and used in accordance with the instructions contained in this instruction guide.

It must be used only for domestic purposes.

It does not cover wear and tear, damage, misuse or consumable parts. Tower has limited liability for incidental or consequential loss or damage.

This guarantee is valid in the UK and Eire only.

The standard one year guarantee is only extended to the maximum available for each particular product upon registration of the product within 28 days of purchase. If you do not register the product with us within the 28 day period, your product is guaranteed for 1 year only.

To validate your extended warranty, please visit www.towerhousewares.co.uk and register with us online.

Please note that length of extended warranty offered is dependent on product type and that each qualifying product needs to be registered individually in order to extend its warranty past the standard 1 year.

Extended warranty is only valid with proof of purchase or receipt.

Your warranty becomes void should you decide to use non Tower spare parts.

Spare parts can be purchased from www.towerhousewares.co.uk

Should you have a problem with your appliance, or need any spare parts, please call our Customer Support Team on:

+44 (0) 333 220 6066

