

TOWER®

over 100 YEARS of quality

T108000

TXP30 Bagless Upright Vacuum Cleaner



3 | YEAR
GUARANTEE



GREAT BRITISH
DESIGN SINCE 1912

SAFETY AND INSTRUCTION MANUAL
PLEASE READ CAREFULLY

*Subject to registering your Extended Guarantee online at www.towerhousewares.co.uk.



Towerbrand

GREAT BRITISH DESIGN, INNOVATION
AND EXCELLENCE SINCE 1912

Since the turn of the 20th century, Tower has been designing, developing and manufacturing housewares and small appliances used by millions of households throughout the UK and beyond. During the 1960s, the rise in popularity of pressure cooking saw Tower become the UK's largest producer of pressure cookers, right through into the late 1980s. In recent years the Tower brand has been reborn with an exciting and varied range of housewares and electrical appliances that have quickly reinstated the brand's richly deserved status as a household name.

TOWER

Visit
www.towerhousewares.co.uk
for more fantastic products.

Thank you for purchasing this appliance from the Tower range.

Please read this manual carefully **BEFORE** using the appliance for your own safety.

It has been designed to provide many years of trouble-free use.

There are many benefits to using a Tower Bagless Upright Vacuum Cleaner:

- Powerful 750W cyclonic performance
- 12Kpa 100W Suction power.
- 2.5 Litre dust capacity minimises the need for emptying.
- 2 in 1 crevice tool and floor brush allows for more versatile cleaning.
- Extra-long 6 metre power cord offers added mobility when cleaning.

Contents:

1. **Specifications**
Components and structure
2. **Technical Data**
3. **Important Safety Information**
4. **Before First Use**
5. **Using your Appliance**
6. **Troubleshooting**
7. **Recycling**
8. **Cleaning & Care**
9. **Wiring Safety**
10. **Warranty Information**

See back page for Customer Service Information.

Call us first, we can help.

With advice, spares and returns.

Visit our website: towerhousewares.co.uk Call: +44 (0)333 220 6066
(8.30am to 6.00pm Monday-Friday)

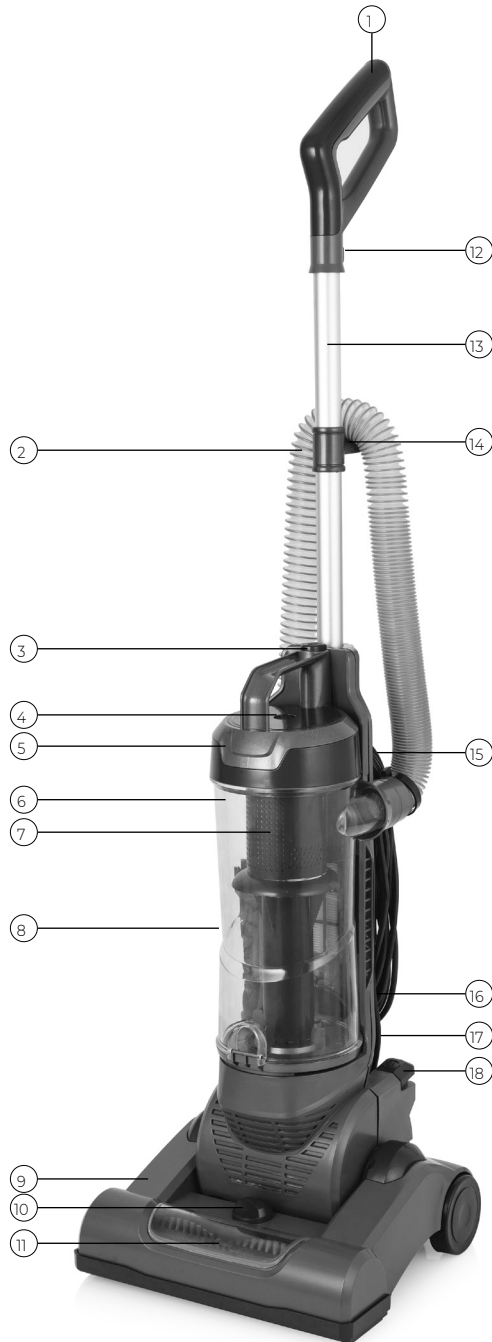
1 - Specifications:

This box contains:

- Instruction Manual
- Vacuum Cleaner
- Crevice/brush multi-tool
- Rectangular filter
- Sponge filter
- Cylinder filter

Structure of your appliance:

1. Handle
2. Hose
3. Dust tank release button
4. Suction release valve
5. Dust tank lid
6. Dust Tank
7. Filter assembly
8. 2-in-1 brush/crevice tool
9. Floor head
10. Floor level selector dial
11. Brush roll
12. Cable clip
13. Handle pole
14. Hose hook
15. Upper cable storage hook
16. Lower cable storage hook
17. Hose connector (back of unit)
18. Power On/Off button



2 - Technical Data:

Description: TXP30 Bagless Upright Vacuum Cleaner
Model: T108000
Voltage: 220-240V ~ 50/60Hz
Wattage: 750W

Documentation

We declare that this product conforms to the following product legislation in accordance with the following directive(s):

2014/30/EU	Electromagnetic Compatibility Directive.
2014/35/EU	Low Voltage Directive.
2011/65/EU	Restriction of Hazardous Substances Directive.

RK Wholesale LTD Quality Assurance, United Kingdom.

Should you encounter problems or require a replacement part, contact the Tower Customer Support Team: **+44 (0) 333 220 6066**.

Some spare parts may be ordered from the Tower website.
Your warranty becomes void should you decide to use non Tower spare parts.
Spare parts can be purchased from **www.towerhousewares.co.uk**

Guarantee for spare parts:

The spares and accessories are guaranteed for 1 year from date of purchase.
The main body and housing are guaranteed for the extended free warranty subject to registration.
If any defect arises due to faulty materials of workmanship, the faulty products must be returned to the place of purchase within 12 months from the date of purchase.
Refund or replacement is at the discretion of the retailer.

3 - Important Safety Information:

Please read these notes carefully BEFORE using your Tower appliance

- Check that the voltage of the main circuit corresponds with the rating of the appliance before operating.
- If the supply cord or appliance is damaged, stop using the appliance immediately and seek advice from the manufacturer, its service agent or a similarly qualified person.
- DO NOT let the cord hang over the edge of a table or counter or let it come into contact with any hot surfaces.
- DO NOT carry the appliance by the power cord.
- The use of accessory attachments is not recommended by the appliance manufacturer apart from those supplied with this product. DO NOT use extension cords with the appliance.
- DO NOT pull the plug out by the cord as this may damage the plug and/or the cable.
- Switch off at the wall socket then remove the plug from the socket when not in use or before cleaning.
- Switch off and unplug before fitting or removing tools/ attachments, after use and before cleaning.
- Close supervision is necessary when any appliance is used by or near children.
- Children should not play with the appliance.
- This appliance can be used by children aged from 8 years and above and persons with reduced physical, sensory or mental capabilities or lack of experience and knowledge if they have been given supervision or instruction concerning use of the appliance in a safe way and understand the hazards involved.
- Cleaning and user maintenance should not be undertaken by children without supervision.

- Take care when any appliance is used near pets.
- Not suitable for carpets with long fibres as the bristles will damage the fibres.
- Keep the vacuum cleaner moving over the carpet surface at all times to avoid damaging the carpet fibres.
- DO NOT use this product for anything other than its intended use.
- DO NOT immerse cords, plugs or any part of the appliance in water or any other liquid.
- This appliance is for household use only.
- DO NOT use the appliance outdoors.
- Keep hair, loose clothing, fingers and all body parts away from moving parts.
- DO NOT use to pick up flammable liquids such as gasoline or use in an area where they might be present.
- DO NOT use the appliance without the dust container filter in place.
- DO NOT pick up anything that is burning or smoking such as cigarettes, matches or hot ashes.
- Use extra care when cleaning on stairs.
- Use only manufacturer's recommended accessories.
- DO NOT pull cord, use cord as a handle, close a door on cord, or pull cord around sharp edges or corners.
- DO NOT run vacuum cleaner over the cord. Keep cord away from heated surfaces.
- This product is fitted with a thermal cut-out, which will activate if the motor overheats due to blocked air inlets. If the appliance cuts out, allow it to cool for 1 hour, then empty the dust container and clean all of the filters.
- In the unlikely event the appliance develops a fault, stop using it immediately and seek advice from the Customer Support Team:
+44 (0) 333 220 6066

4 - Before First Use

Read all instructions and safety information carefully before first use. Please retain this information for future reference.

1. Remove the product from the box.
2. Remove any packaging from the product.
3. Please retain all packaging until you have checked and counted all the parts and the contents against the parts list.
4. Dispose of the packaging in a responsible manner.

Note: Ensure the vacuum cleaner is fully assembled before attempting to use it.

5 - Using Your Appliance

Connecting the Pole:

1. To connect the pole to the main body of the vacuum, begin by aligning the handle pole with the top of the vacuum.
2. Once the two parts are properly aligned, push the handle down until the screw hole in the pole matches the hole in the body of the vacuum.
3. Once the two holes are aligned, slot the screw provided through them, and tighten it using a crosshead screw driver.
4. Your vacuum cleaner is now ready for use.

Connecting the Accessories:

1. This vacuum cleaner comes complete with a 2-in-1 dusting brush and crevice tool, ideal for light dusting or vacuuming in corners or narrow gaps.
2. To use the included 2-in-1 tool, begin by removing the end of the hose by twisting it anti-clockwise and pulling it upwards, towards you and away from the main part of the hose.
3. Once you have removed the hose end, attach the 2-in-1 tool to the main part of the hose. Ensure it is firmly connected to the tube before turning on the vacuum cleaner, to prevent it from falling off whilst in use.
4. To remove the 2-in-1 tool, grip it firmly, then pull it towards you and away from the hose.

Note: This accessory is set to the crevice tool function by default. To use the dusting brush function, simply slide the brush towards the front of the tool until it clicks into place. To retract the brush, press the button on the side of the tool to loosen it, then push it backwards until it slots into place.

Note: Always ensure the vacuum cleaner is upright when using the attachment tool, to prevent the brush roller from damaging floors and surfaces. DO NOT tilt the vacuum cleaner or position it at an angle when using the attachment tool.

Releasing the Power Cable:

1. To use your vacuum cleaner, start by unhooking the power cable from the on-board storage hook, located at the back of the vacuum cleaner. To do this, unlock the storage hook by rotating it 180 degrees, then carefully unravel the cable to your desired length.

Note: The power cord can be secured into the clip at the top of the handle while vacuuming, to reduce the risk of tripping.

2. Once the power cable is at a sufficient length, plug the vacuum cleaner into a mains socket, making sure the switch is turned to the 'On' position.

Adjusting the Floorhead:

1. Before turning the vacuum cleaner on, unlock the floor head by pushing down on it while pulling the main body of the vacuum cleaner diagonally towards you.
2. Once the floorhead has been released, use the dial at the centre to adjust it as necessary to fit each type of floor. Turn this dial clockwise to raise the floorhead, or anti-clockwise to lower it.
3. Once the vacuum is unlocked and ready for use, press the Power On/Off button at the back of the unit to turn it on.

Note: When cleaning stairs, always position the vacuum cleaner at the bottom of the staircase, so that it rests against the bottom step. Use the 2-in-1 tool attached to the vacuum hose to clean stairs and steps.

6 - Troubleshooting

Problem	Possible Solution
The vacuum will not work	Ensure the vacuum cleaner is plugged into a mains socket and that the socket switch is turned on. Check if any fuses on your main board have tripped.
The vacuum will not pick-up or the suction power is weak	The dust container may be full, or the filters may require cleaning. Empty the dust container and clean the filters. There may be blockages in the filters, hose or brush roller. Check for blockages and clean the hose, filters and roller as detailed in the 'Cleaning and Care' section. The floorhead may be set to the incorrect height. Ensure the floorhead is at a suitable height for the type of floor being cleaned, and adjust as necessary. The belt may be worn. Ensure the belt is in working order, and replace as necessary, as detailed in the 'Replacing the Belt' section.
Dust is escaping from the vacuum	The filter may not be installed correctly, or the dust container may be full. Empty the dust container and reassemble the filter system.
The vacuum is making an unusual sound or hissing.	The airflow may be restricted or blocked. Check for blockages and clean the filters and hose as detailed in the 'Cleaning and Care' section.
The vacuum is difficult to push.	The floorhead may be set to the incorrect height. Ensure the floorhead is at a suitable height for the type of floor being cleaned, and adjust as necessary.

7 - Recycling

DISPOSAL OF THE UNIT

Appliances bearing the symbol shown here may not be disposed of in domestic rubbish. You are required to dispose of old electrical and electronic appliances like this separately.

Please visit www.recycle-more.co.uk or www.recyclenow.co.uk for access to information about the recycling of electrical items.

Please visit www.weeireland.ie for access to information about the recycling of electrical items purchased in Ireland.

The WEEE directive, introduced in August 2006, states that all electrical items must be recycled, rather than taken to landfill.

Please arrange to take this appliance to your local Civic Amenity site for recycling, once it has reached the end of its life.



8 - Cleaning & Care

Cleaning:

1. Always remove the plug from the wall socket before you clean the unit.
2. Release the locking block to open up the top half of the unit housing.
3. Shake the contents into a dustbin until fully empty.
4. Replace the upper portion of the housing and fasten the locking block to secure it into place.

Emptying the Dust Tank:

Note: Ensure the vacuum cleaner is turned off and unplugged from the mains before emptying the dust tank.

1. To remove the dust tank from the vacuum cleaner, press the release button at the top of the tank, then pull it firmly towards you and away from the main body of the vacuum.
2. Once you have removed the dust tank, hold it over a rubbish bin and pull the latch at the bottom of the tank to open it and tip the contents into the bin.
3. When the tank has been emptied, check the cylinder filter and tap it over the bin to remove any dust or debris contained within.

Cleaning the Bin and Cylinder Filter:

1. To access and clean the cylinder filter, twist the dust tank lid counter-clockwise to unlock it, then pull it up and away from the tank container.
2. Once the lid has been taken out of the tank, grip the bottom part of the filter firmly and twist it counter-clockwise to detach the filter housing from the lid.
3. Pull the filter housing away from the lid and retrieve the cylinder filter located inside.
4. Tap both parts of the cylinder filter over a rubbish bin to dispose of any dirt or debris located inside.
5. When the filter is clean of debris, rinse it, the tank and the filter housing under warm running water.
6. Leave the filter to dry for at least 24 hours before placing it back into the filter housing. Ensure the filter housing and dust tank are thoroughly dry before attempting to use the vacuum again.
7. Re-assemble the dust tank. Use the symbols on the lid and body of the tank as guidelines when connecting the parts together; align the white arrow on the lid with the open padlock symbol on the body of the tank, then twist the lid towards the locked padlock symbol until it clicks into place.

Cleaning the Rectangular Filter:

1. To clean the rectangular filter, first remove the dust tank from the vacuum cleaner. To remove the tank, push down the button at the top of the tank housing to release it, then pull it away from the main body of the vacuum.
2. The rectangular filter will now be visible on the rear wall of the vacuum cleaner.
3. To remove the filter, push down the tab at the top of the filter casing and pull it towards you.
4. Once the filter has been removed from the body of the vacuum, tap it against a rubbish bin to dispose of any debris, then wash it under running water until clean.

5. Leave the filter to dry thoroughly for at least 24 hours before attempting to use it again.
6. Once the filter is dry, put it back into the vacuum cleaner, ensuring it locks into place, and reattach the dust tank to the body of the vacuum.
7. The vacuum cleaner is now ready for normal use.

Cleaning the Sponge Filter:

1. To clean the sponge filter, first remove the dust tank from the vacuum cleaner. To remove the tank, push down the button at the top of the tank housing to release it, then pull it away from the main body of the vacuum.
2. The round sponge filter will now be visible at the base of the vacuum.
3. To remove the sponge filter, simply pull it out and away from the base of the vacuum.
4. Once the filter has been removed from the body of the vacuum, tap it against a rubbish bin to dispose of any debris. Alternatively, you can also wash the filter under running water until clean.
5. Once the filter is clean, put it back into the vacuum cleaner and reattach the dust tank to the body of the vacuum.

Note: If the filter has been washed, ensure it is thoroughly dry before placing it back into the vacuum cleaner.

6. The vacuum cleaner is now ready for normal use.

Changing the Vacuum Belt:

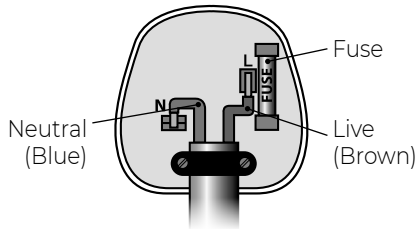
1. To change the vacuum cleaner's belt when it is worn out or damaged, begin by laying it face down on a flat surface, so that you can access the base.
2. Once the inside of the vacuum is accessible, reach in and unhook the motor belt by sliding it out of and away from the motor spindle.
3. Once the worn or damaged belt has been taken out of the motor, remove the brush roll from the vacuum.
4. Hook the replacement belt over the brush roll and motor spindle, ensuring the belt rests on the section in-between the two grooves on the brush roll.
5. Pull the brush assembly back down into the casing. Ensure the flat edge of the brush roll is facing outwards.
6. Before attempting to use the vacuum cleaner again, use your hand to rotate the brush assembly and ensure it moves freely. If it does not, disassemble the relevant section and repeat the steps above until the brush roll rotates freely.
7. Your vacuum cleaner is now ready for use.

Storing the Appliance:

Note: Before storing the vacuum, unplug it from the mains.

1. When storing the vacuum cleaner, first remove the 2-in-1 multi-tool from the hose and place it on the on-board storage holder. Then, wrap the cord around the two storage hooks at the back of the hoover.
2. Store the appliance in an upright position, a cool, dry place, preferably inside its original packaging.

9 - Wiring Safety for UK Use Only




IMPORTANT

As the colours in the mains lead of this appliance may not correspond with the coloured markings identifying the terminals in your plug, please proceed as follows:

The wires in the mains lead are coloured in accordance with the following code:

Blue neutral [N] Brown live [L]

Plug Fitting Details (Where Applicable).

The wire coloured blue is the neutral and must be connected to the terminal marked [N] or coloured black. The wire coloured brown is the live wire and must be connected to the terminal marked [L] or coloured red. On no account must either the brown or the blue wire be connected to the [EARTH] terminal .

Always ensure that the cord grip is fastened correctly.

The plug must be fitted with a fuse of the same rating already fitted and conforming to BS 1362 and be ASTA approved.

If in doubt consult a qualified electrician who will be pleased to do this for you.

Non-Rewireable Mains Plug.

If your appliance is supplied with a non-rewireable plug fitted to the mains lead and should the fuse need replacing, you must use an ASTA approved one (conforming to BS 1362 of the same rating).

If in doubt, consult a qualified electrician who will be pleased to do this for you.

If you need to remove the plug – disconnect it from the mains – and then cut it off of the mains lead and immediately dispose of it in a safe manner. Never attempt to reuse the plug or insert it into a socket outlet as there is a danger of an electric shock.

WARNING:

This appliance is double insulated.
Do not connect any wire to the earth terminal.

10 - Warranty

3* | YEAR
GUARANTEE



GREAT BRITISH
DESIGN SINCE 1912

As a thank you for purchasing one of our fantastic products, we are offering you an extra 2 years peace of mind in addition to your 1 year guarantee.

To receive your extra 2 year guarantee, register your appliance online within 28 days of purchase by visiting www.towerhousewares.co.uk



This product is guaranteed for 12 months from the date of original purchase. If any defect arises due to faulty materials of workmanship, the faulty products must be returned to the place of purchase. Refund or replacement is at the discretion of the retailer.

The Following Conditions Apply:

- The product must be returned to the retailer with proof of purchase or a receipt.
- The product must be installed and used in accordance with the instructions contained in this instruction guide.
- It must be used only for domestic purposes.
- It does not cover wear and tear, damage, misuse or consumable parts.
- Tower has limited liability for incidental or consequential loss or damage.

This guarantee is valid in the UK and Eire only.

The standard one year guarantee is only extended to the maximum available for each particular product upon registration of the product within 28 days of purchase. If you do not register the product with us within the 28 day period, your product is guaranteed for 1 year only.

To validate your extended warranty, please visit www.towerhousewares.co.uk and register with us online.

Please note that length of extended warranty offered is dependent on product type and that each qualifying product needs to be registered individually in order to extend its warranty past the standard 1 year. Extended warranty is only valid with proof of purchase or receipt.

Notes:

TOWER®

over 100 YEARS of quality

thank you!

We hope you enjoy your appliance for many years. As a thank you for purchasing one of our fantastic products, we are offering you an extra 2 years peace of mind.

*To receive your extra 2 years guarantee, register your appliance online within 28 days of purchase by visiting:

www.towerhousewares.co.uk

Should you have a problem with your appliance, or need any spare parts, please call our Customer Support Team on:

+44 (0) 333 220 6066

Your warranty becomes void should you decide to use non Tower spare parts. Spare parts can be purchased from **www.towerhousewares.co.uk**

