

TOWER

over 100 YEARS of quality



CAVALETTO

T24038 Applicable to all colour variants
20L 800W Microwave



Call us first, we can help.

With advice, spares and returns.

Visit our website:

Call: +44 (0)333 220 6066

towerhousewares.co.uk

(8.30am to 6.00pm Monday-Friday)

**LARGE
20
LITRE
CAPACITY**

**800W
POWER**
5 HEAT SETTINGS
& DEFROST MODE

**35 MIN
TIMER**
TO CONTROL
COOKING TIME

**FITS A
STANDARD
10 INCH
DINNER
PLATE**



SAFETY AND INSTRUCTION MANUAL
PLEASE READ CAREFULLY

*Subject to registering your Extended Guarantee online at www.towerhousewares.co.uk.

Specifications:

This box contains:

Instruction Manual
Microwave Oven
Roller Ring
Glass Turntable

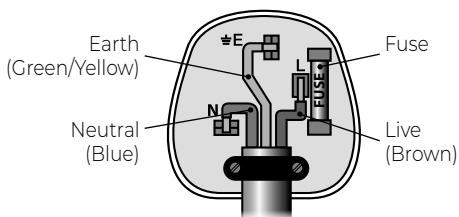
1. Door Safety Lock System
2. Oven Window
3. Glass Turntable
4. Roller Ring
5. Wave Guide
6. Control Panel
7. Power Level Dial
8. Cooking Time Dial



Technical Data:

Model:	T24038 Applicable to all colour variants
Rated Voltage:	230-240V ~50Hz
Input:	1200-1270W
Output:	750-800W
Microwave Frequency:	2450MHz

Wiring Safety for UK Use Only



IMPORTANT

As the colours in the mains lead of this appliance may not correspond with the coloured markings identifying the terminals in your plug, please proceed as follows:

The wires in the mains lead are labelled in accordance with the following code:

Blue neutral [N] Brown live [L] Green/Yellow [EARTH] 

Plug Fitting Details (Where Applicable).

The wire labelled blue is the neutral and must be connected to the terminal marked [N].

The wire labelled brown is the live wire and must be connected to the terminal marked [L].

The wire labelled green/yellow must be connected to the terminal marked with the letter [E].

On no account must either the brown or the blue wire be connected to the [EARTH] terminal.

Always ensure that the cord grip is fastened correctly.

The plug must be fitted with a fuse of the same rating already fitted and conforming to BS 1362 and be ASTA approved.

If in doubt consult a qualified electrician who will be pleased to do this for you.

Non-Rewireable Mains Plug.

If your appliance is supplied with a non-rewireable plug fitted to the mains lead and should the fuse need replacing, you must use an ASTA approved one (conforming to BS 1362 of the same rating).

If in doubt, consult a qualified electrician who will be pleased to do this for you.

If you need to remove the plug - disconnect it from the mains - then cut it off of the mains lead and immediately dispose of it in a safe manner. Never attempt to reuse the plug or insert it into a socket outlet as there is a danger of an electric shock.

WARNING:

This appliance **MUST** be earthed!

DISPOSAL OF THE UNIT

Appliances bearing the symbol shown here may not be disposed of in domestic rubbish. You are required to dispose of old electrical and electronic appliances like this separately.

Please visit www.recycle-more.co.uk or www.recyclenow.co.uk for access to information about the recycling of electrical items.

Please visit www.weeireland.ie for access to information about the recycling of electrical items purchased in Ireland.

The WEEE directive, introduced in August 2006, states that all electrical items must be recycled, rather than taken to landfill.

Please arrange to take this appliance to your local Civic Amenity site for recycling, once it has reached the end of its life.



Important Safety Information:

Please read these notes carefully BEFORE using your Tower appliance

- Check that the voltage of the main circuit corresponds with the rating of the appliance before operating.
- If the supply cord or appliance is damaged, stop using the appliance immediately and seek advice from the manufacturer, its service agent or a similarly qualified person.
- **WARNING! DO NOT** let the cord hang over the edge of a table or counter, serious injury may result from the microwave being pulled off the counter where it may be grabbed by children or become entangled with the user.
- **DO NOT** carry the appliance by the power cord.
- **DO NOT** pull the plug out by the cord as this may damage the plug and/or the cable.
- Switch off at the wall socket then remove the plug from the socket when not in use or before cleaning.
- The use of accessory attachments is not recommended by the appliance manufacturer apart from those supplied with this product. **DO NOT** use extension cords with the appliance.
- Switch off and unplug after use and before cleaning.
- Close supervision is necessary when any appliance is used by or near children.
- Children should not play with the appliance.
- This appliance can be used by children aged from 8 years and above and persons with reduced physical, sensory or mental capabilities or lack of experience and knowledge if they have been given supervision or instruction concerning use of the appliance in a safe way and understand the hazards involved.
- Cleaning and user maintenance should not be undertaken by children without supervision. Please read these notes carefully BEFORE using your Tower appliance

- Take care when any appliance is used near pets.
- DO NOT use this product for anything other than its intended use.

CAUTIONS

- DO NOT operate the microwave with the door open due to the safety interlocks built into the door mechanism. It is important not to tamper with the safety interlocks (safety interlocks automatically switch off any cooking activity when the door is opened). This could result in harmful exposure to excessive microwave energy.
- DO NOT place any object (such as kitchen towels, napkins, etc.) between the microwave front face and the door or allow food or cleaner residue to accumulate on sealing surfaces. Doing so will void the warranty.
- DO NOT operate the microwave if it is damaged. It is particularly important that the microwave door closes properly and that there is no damage to the door hinges, latches, door seals and sealing surfaces.
- DO NOT operate the microwave if it is rusty.
- Please ensure cooking times are correctly set, small amounts of food require shorter cooking or heating time. Over cooking may result in the food catching on fire and subsequent damage to the microwave.
- When heating liquids, e.g. soups, sauces and beverages in your microwave, avoid using straight sided containers with narrow necks. Stir the liquid before placing the container in the microwave and again halfway through the heating time. After heating, let it stand, stir or shake it again carefully and check the temperature of it before consuming to avoid burns (especially, contents of feeding bottles and baby food jars).
- An exhaust outlet is located on the top, bottom or side of the microwave. Don't block the outlet. It could result in damage to your microwave and poor cooking results.

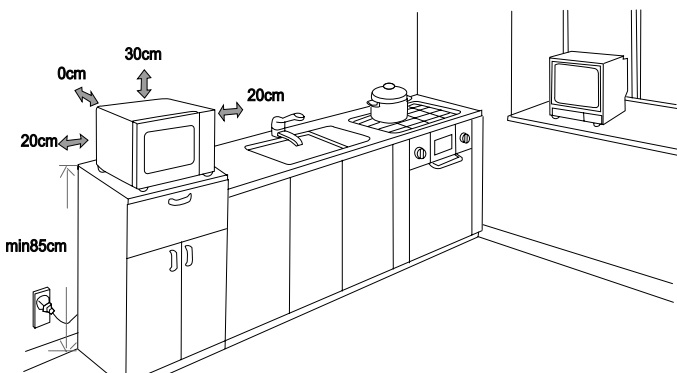
- DO NOT operate the microwave when empty. It is best to leave a glass of water in the microwave when not in use. The water will safely absorb all microwave energy if the microwave is accidentally started.
- Improper use could result in damage to the microwave.
- DO NOT use wooden containers and ceramic containers that have metallic (e.g. gold or silver) inlays. Always remove metal twist ties. Check that the utensils are suitable for use in the microwave before use. They may heat up and char. NEVER use metal objects in the microwave, as they may arc and cause serious damage.
- DO NOT rinse the glass turntable by placing it in water just after cooking. This may cause breakage or damage.
- Before cooking pierce the skin of potatoes, apples or any such fruit or vegetables. They could burst.
- DO NOT cook eggs in their shell. Eggs in their shell and whole hardboiled eggs should not be heated in microwave since they may explode, even after microwave heating has ended. Pressure will build up inside the egg which will burst.
- DO NOT attempt deep fat frying in your microwave. This could result in a sudden boil over of hot liquid.
- If smoke is observed, switch off or disconnect the microwave from the power supply and keep the microwave door closed in order to stifle any flames. It can cause serious damage such as fire or electric shock.
- When food is heated or cooked in disposable containers made of plastic, paper or other combustible materials keep an eye on the microwave and check it frequently.
- The microwave should be cleaned regularly and any food deposits should be removed. Failure to maintain the microwave in a clean condition could lead to deterioration of the surface. This could adversely affect the life of the appliance and possibly result in a hazardous situation.

- We DO NOT recommend the use of microwave popcorn in bags. Many of these produce PFOA chemicals, which have been identified as a potential carcinogen. Instead we recommend using a microwave-approved bowl and lid. Should you choose to do so, ALWAYS follow exact directions given by each manufacturer for their popcorn products.
- NOTE: The use of non-compliant materials will void your warranty.
- DO NOT leave the oven unattended while corn is being popped. If corn fails to pop after the suggested times, discontinue cooking. Never attempt to pop leftover kernels. Overcooking could result in the corn catching fire.
- DO NOT use harsh abrasives cleaners or sharp metal scrapers to clean the microwave door glass. They can scratch the surface, which may result in the glass shattering.
- After cooking, containers used in the microwave will be very hot. Use gloves to take out the food and avoid steam burns by directing steam away from the face and hands.
- This appliance is intended to be used in household and similar applications such as: Staff kitchen areas in shops, offices and other working environments, farm houses, by clients in hotels, motels and other residential environments, bed & breakfast type environments.
- The microwave oven is intended for heating food and beverages. Drying of food or clothing and heating of warming pads, slippers, sponges, damp cloth and similar may lead to risk of injury, ignition or fire.
- The door or outer surface may get hot when the appliance is operating.
- In the unlikely event the appliance develops a fault, stop using it immediately and seek advice from the Customer Support Team: **+44 (0) 333 220 6066**

Before First Use:

Read all instructions and safety information carefully before first use. Please retain this information for future reference.

1. Take out all the packing. If there is a safe film over the oven, tear it off before use. Check carefully for damage. If any, immediately notify the place of purchase.
2. Clean the glass turntable with a damp cloth or sponge.
3. Microwave ovens must be placed under dry and non-corrosive environments and kept away from heat and humidity, such as a gas burner or water tank.
4. To ensure sufficient ventilation, the following distances should be observed:
The rear surface of appliance shall be placed against a wall. At least 20cm from the microwave to the side of the wall, and at least 30cm above the microwave. The minimum installation height for the microwave should be 85cm.



5. The oven should be positioned away from TVs, radios or antennae, as the microwaves may cause disturbances to their picture or sound.
6. The appliance must be positioned so that the plug is accessible, and has a good grounding in case of leakage. A ground loop can be formed to avoid electric shock.
7. The microwave oven must be operated with the door closed.
8. The microwave oven must not be placed in a cabinet.
9. The microwave oven is intended to be used free-standing.

Note: During first use the microwave oven may emit an odour and slightly smoke. This is due to manufacturing residue or oil on the heat element or oven cavity. This is normal and should not occur after several uses. Keep doors and windows open to ensure good ventilation. It is recommended to place a cup of water on the turntable set high and operate the microwave oven several times to help clean the microwave of residue.

10. Check that there is no damage to the cord or any visible damage to the body.
11. Your appliance is now ready for normal use.
12. Dispose of the packaging in a responsible manner.

Using Your Appliance

1. **Door lock:** The microwave door must be properly closed in order for the appliance to operate.
2. **Oven window:** Allows the user to see the cooking status.
3. **Roller ring:** The glass turntable sits on its wheels. It supports the turntable and helps it to balance when rotating. Do not use the microwave without the roller ring.
4. **Rotating axis:** The glass turntable sits on the axis; the motor underneath it makes the turntable rotate.
5. **Glass turntable:** The dish/plate sits on the glass turntable, its rotation during operation helps to cook food evenly.

CAUTION: Place the rotating ring inside the microwave first, then fit the turntable onto the rotating axis, making sure it is properly installed.

6. **Control panel:** Used to select functions when operating the microwave.
7. **Door Handle:** Use to open the door or to pause the cooking process.

Control panel operation:

The control panel consists of two function operations, a timer dial and a power dial.



Power Dial:

There are five power levels to choose from when operating the microwave. Turn the power selection dial clockwise to increase the microwave's power level. The power levels are as follows:

Power	Setting	Description
100%	High	Reheating, milk, boiling water, steaming vegetables, drinks
77%	M.High	Rice, fish, chicken, minced meat
55%	Medium	Stewing, fish
33%	M.Low / Defrost	Soup, stew, soften butter, defrosting
17%	Low	Keep warm, soften ice cream

Intelligent Defrost Function:

This unit is equipped with an intelligent defrost function, making for easy and accurate defrosting. The highlighted weights around the outer edge of the timer are weight indicators for use with the Intelligent Defrost function, and are represented in kg. Each figure is located next to the indicator for the time it will take to defrost that volume of food, in minutes. For instance, 0.2kg (200g) of frozen food will typically take about 3 minutes to defrost, 0.4kg (400g) will take 6 minutes, and so on.

To defrost food using the Intelligent Defrost function, set the power dial to Medium low, and use the timer dial to select the appropriate weight for the amount of food you are defrosting.

Timer Dial:

The manual timer dial allows you to select your required cooking time, from 0 – 35 minutes.

To start a cooking session:

Place the food in the oven and close the door.

Turn the power selection dial to select a power level.

Use the timer dial to set a cooking time.

When cooking is complete, a bell will ring and the light inside the microwave will turn off.

Stop/Cancel

Open the door or return the timer to zero.

Note: As soon as the timer dial is turned, the microwave starts cooking. When cooking food for less than 2 minutes, rotate the timer past the 2 minute mark, then turn it back to the correct required time.

CAUTION: Always return the timer to the '0' position when not using the microwave. To stop the cooking process at any time, open the door by the handle.

Note: Cooking results depend on factors such as the shape and size of food, personal preference, and even how you happen to place food in the oven.

Utensils guideline:

It is strongly recommended to only use containers which are suitable and safe for microwave cooking. Generally speaking, containers made of heat-resistant ceramic, glass or plastic are suitable for microwave cooking. Never use metal containers for microwave cooking and combination cooking as sparks are likely to occur and there is a risk of fire or injury. When cooking microwave meals, always check the packaging to see which parts are microwave safe. Use the below table as reference:

Material	Microwave Safe	Notes
Heat-resistant ceramic	Yes	Never use ceramics that are decorated with a metal rim or are glazed.
Heat-resistant plastic	Yes	Cannot be used for extended periods of time when microwave cooking.
Heat-resistant glass	Yes	
Plastic film	Yes	Not to be used when cooking meat or chops, as the high temperature may damage the film.
Grill rack	No	
Metal container	No	Never to be used in the microwave. Microwaves cannot penetrate through metal. Microwaving with a metal container can result in fire.
Lacquer	No	Poor heat resistance. Cannot be used for high temperature cooking.
Bamboo wood and paper	No	Poor heat resistance. Cannot be used for high temperature cooking.
Cling film	Yes	Cling film can be used as long as it is pierced to let steam escape, and is not touching the food.

CAUTION:

There are a number of accessories available on the market. Before you buy, make sure they are suitable for microwave use. When you put food into the Microwave, ensure that the food supports and/or covering do not come in direct contact with any of the internal walls or the ceiling of the cavity since discolouration may take place.

- Some plastics are heat-proof only up to certain temperatures. Check carefully!
- Always remove the lids of jars and containers, including takeaway food containers, before you cook them in your microwave. If the lids are not removed, steam and pressure can build up inside and cause an explosion even after microwave cooking has stopped.
- Do not use straight sided containers with narrow necks when heating liquid. Use extreme care when inserting a spoon or other utensils into the container.

Assessing if the Food is Fully Cooked:

The colour and firmness of food help to determine whether it is done.

The following signs show that the food is ready:

- Steam coming out from all parts of food, not just the edge
- Joints of poultry can be moved easily
- Pork or poultry show no signs of blood
- Fish is opaque and can be sliced easily with a fork

CAUTION!

- Turn the food over during operation to ensure uniform cooking.
- Defrosting will usually take longer than regular microwave cooking.
- The defrosting process can be considered complete when the food can be cut with a knife.
- Microwave power penetrates around 4cm into most foods
- Defrosted food should be consumed as soon as possible. DO NOT re-freeze defrosted food or put it in the fridge.

Cooking tips:

The following factors may affect the cooking result:

Food arrangement:

Place thicker foods towards the outside of the dish with the thinner foods towards the centre. Spread them evenly and avoid overlapping if possible.

Cooking time length:

Begin cooking on a shorter time setting and evaluate the food after it times out. Extend the time as necessary. Over cooking may result in burnt food and smoke.

Piercing:

Food such as potatoes, fish, chicken and sausages all need to be pierced in several places before cooking, so that steam does not build up and cause the food to explode.

Cooking food evenly:

Food such as chicken, burgers or steak should be turned once during cooking. Depending on the type of food, if applicable, stir from the outside to the centre of the dish once or twice during cooking.

Allow standing time:

Once the cooking time has finished, allow food to stand in the microwave for a few minutes. This allows the food to complete its cooking cycle and to cool down naturally.

Browning dish:

When using a browning dish or self-heating container, always place a heat-resistant insulator, such as a porcelain plate under it. This will help prevent damage to the turntable and rotating ring.

Microwave safe plastic wrap:

When cooking food with high fat content, do not allow the plastic wrap to come into contact with food as it may melt.

Microwave safe plastic cookware:

Some microwave safe plastic cookware might not be suitable for cooking foods with high fat and sugar content. The preheating time specified in the dish instruction manual must not be exceeded.

Troubleshooting:

Questions	Answers
Is it normal for the glass turntable to turn in either direction?	Yes. The glass turntable can rotate clockwise or anti-clockwise, depending on the rotation of the motor when the cooking cycle starts.
Can I operate my microwave whilst it is empty?	No, never run it empty or with a very small load for a long period of time as this will damage the microwave.
Can I open the door whilst the microwave is running?	You can open the door at any point during cooking. The microwave energy will automatically switch off when the door is opened, and the time setting will pause until the door is closed.
Why is my microwave sparking?	If you see sparks in your microwave, turn it off immediately. Sparks can be caused by: metal or aluminium foil that touches the interior of the microwave, metal from a closing strip or tableware with metallic edges, recycled paper that contains small metal particles and aluminium foil that is not correctly covering the food. Remove anything from the microwave that may contain metal. Refer to the Utensils Guideline in this manual for reference of what containers are microwave safe.
I am trying to cook eggs and they are popping. What do I do?	When you bake or poach eggs, the yolk can pop due to a build-up of steam inside the yolk membrane. Pierce the yolk with a toothpick before cooking. Never cook eggs without first piercing their shells.
My microwave is taking longer to cook food than the cooking guide says.	Variations in the size, shape and weight of your food can affect cooking times. Cooking guide times and heat settings should be used as suggestions to help prevent over-cooking. If you find the cooking time or temperature is not suited to your ingredients, adjust accordingly.
Can I operate my microwave without the glass turntable?	No. If you remove the glass turntable you will get poor cooking results. Ensure that all dishes used in the microwave fit correctly onto the glass turntable.
What does standing time mean and why is it recommended?	Standing time means that food should be removed from the microwave and allowed to 'stand' for an additional time to let it finish cooking. This is important because with microwave cooking, the heat is held in the food, not in the oven. Many foods build up enough internal heat to allow the cooking process to continue, even after the food is removed from the oven. Standing time for joints of meat, large vegetables and cakes is to allow the inside to cook completely, without overcooking the outside. Most directions on microwavable food will note how much standing time is required.

Servicing safeguards - Microwave radiation

It is hazardous for anyone, other than a qualified service technician, to carry out any service for repairing operation which involves removal of any cover which gives protection against exposure to microwave energy.

The temperature of accessible surfaces may be high when the appliance is operating.

The high voltage capacitor remains charged after disconnection; short the negative terminal of a H.V capacitor to the oven chassis (use a screwdriver) to discharge before touching.

Magnetron

High voltage transformer

High voltage capacitor

High voltage diode

High voltage fuse

The following conditions may cause undue microwave exposure during servicing.

Improper fitting of magnetron;

Improper matching of door interlock, door hinge and door;

Improper fitting of switch support;

Door, door seal or enclosure has been damaged.

Cleaning & Care

- The microwave should be cleaned regularly and any food deposits removed.
- Remove the power cord from the wall outlet before cleaning. Don't immerse the appliance in water or other fluids when cleaning.
- Failure to maintain the microwave in a clean condition could lead to deterioration of the surface. This could adversely affect the life of the appliance and possibly result in a hazardous situation.
- Never use hard detergent, gasoline, abrasive powder or metal brush to clean any part of the appliance.
- Do not remove the waveguide cover.
- After lengthy use, it is possible for odours to emit from the microwave.

The following 2 points are some methods to remove odours or unpleasant smells:

- Place several lemon slices in a cup, then heat with high Micro Power for 2-3 min.
- Put some orange peel into the microwave, and then heat them with high Micro Power for 1 minute.

NEVER IMMERSE THE MICROWAVE, CORD, OR PLUG IN WATER OR ANY OTHER LIQUID.

Tips for cleaning

If the seal of the microwave is dirty, it may stop the door from closing properly. Keep the seal clean. Spicy sauces such as ketchup and mustard, or salty dishes such as salted meat, contain ingredients that can erode the surface. After use, you should always clean the oven interior.

Residue of food from spillovers or splatters will attract microwave energy causing it to burn on. This could reduce the efficiency of the microwave and may cause bad odours.

Details for cleaning door seals, cavity and adjacent parts:

- Exterior: Wipe the enclosure with a damp soft cloth
- Door: Using a damp soft cloth, wipe clean the door and window. Wipe the door seals and adjacent parts to remove any spills. Wipe the control panel with a slightly dampened soft cloth.
- Interior walls: Wipe clean the interior with a damp soft cloth. Wipe clean the waveguide cover to remove any food remnants.
- Glass turntable / Rotation ring / Rotation axis: Wash with mild soap water. Rinse with clean water and allow to dry thoroughly.

Note: Do not remove the waveguide cover during cleaning.

Make sure the waveguide cover is installed correctly and has not been damaged during cooking.

Note: Make sure to thoroughly dry the cavity after every use. Failing to do so will damage the interior, potentially allow rust to form, and void the warranty.

TOWER®

over 100 YEARS of quality



CAVALETTO

thank you!

We hope you enjoy your appliance for many years.

This product is guaranteed for 12 months from the date of original purchase. If any defect arises due to faulty materials or workmanship, the faulty products must be returned to the place of purchase.

Refund or replacement is at the discretion of the retailer.

The Following Conditions Apply:

The product must be returned to the retailer with proof of purchase or a receipt. The product must be installed and used in accordance with the instructions contained in this instruction guide.

It must be used only for domestic purposes.

It does not cover wear and tear, damage, misuse or consumable parts. Tower has limited liability for incidental or consequential loss or damage.

This guarantee is valid in the UK and Eire only.

The standard one year guarantee is only extended to the maximum available for each particular product upon registration of the product within 28 days of purchase. If you do not register the product with us within the 28 day period, your product is guaranteed for 1 year only.

To validate your extended warranty, please visit www.towerhousewares.co.uk and register with us online.

Please note that length of extended warranty offered is dependent on product type and that each qualifying product needs to be registered individually in order to extend its warranty past the standard 1 year.

Extended warranty is only valid with proof of purchase or receipt.

Your warranty becomes void should you decide to use non Tower spare parts.

Spare parts can be purchased from www.towerhousewares.co.uk

Should you have a problem with your appliance, or need any spare parts, please call our Customer Support Team on:

+44 (0) 333 220 6066

